



Air Injection Vacuum Blower

VTB822.xl

Hibon Ingersoll Rand presents new state-of-the-art technology in three-lobe, positive displacement blowers. This model offers a wide range of design features and incorporates energy efficiency improvements, complying with the strictest operational requirements of a variety of applications. The VTB XL series air-injected, high-vacuum blowers are ideally suited for the rigorous demand of the vacuum truck and industrial vacuum markets. Hibon is a worldwide leader in three-lobe positive displacement blower technology with thousands of units installed around the globe.

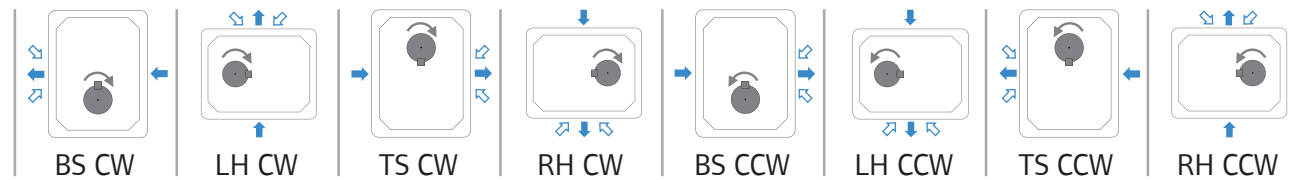
Characteristics of the VTB XL Series Blower

- Three-lobe impeller construction
- Unique air injection system
- Increased efficiency
- Clearances adjusted automatically during assembly
- Larger oil capacity
- High volume oil thrower
- High performance sealing arrangement using 4 piston rings

Benefits

- Quieter operation than two-lobe impeller construction
- Allows high vacuum including "dead end" operation without overheating
- No oil or water cooling system (100% oil free air)
- Requires less horsepower for the same performance
- Easier maintenance
- Runs cooler
- Better lubrication of bearings
- Less frequent oil changes

Configurations



Configuration	With feet option	Without feet
BS CW	F0145701111	F014570111
LH CW	.	F014570101
TS CW	F0145701211	F014570121
RH CW	.	F014570131
BS CCW	F0145701101	F014570110
LH CCW	.	F014570100
TS CCW	F0145701201	F014570120
RH CCW	.	F014570130

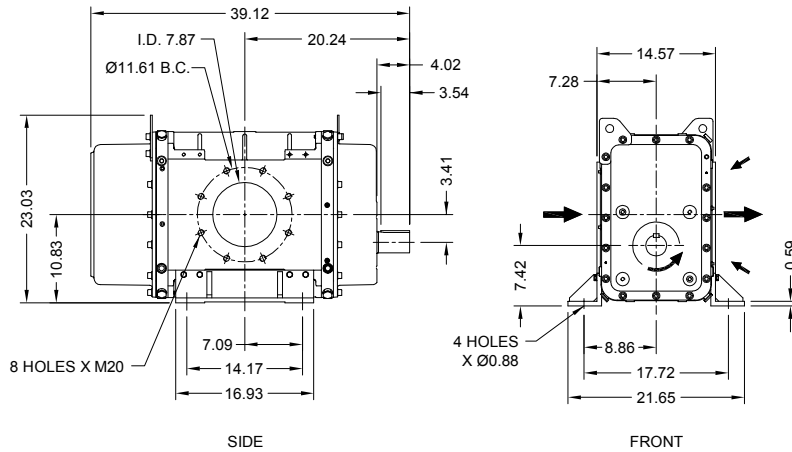
- ↻ Shaft rotation
- ➡ Air flow
- ⬆ Air injection
- RH = Right hand shaft
- LH = Left hand shaft
- BS = Bottom shaft
- TS = Top shaft
- CW = Clockwise rotation
- CCW = Counter clockwise rotation

VOLUME DISPLACEMENT														
Speed (RPM)	9" HG		12" HG		15" HG		18" HG		21" HG		24" HG		27" HG	
	CFM	BHP	CFM	BHP	CFM	BHP	CFM	BHP	CFM	BHP	CFM	BHP	CFM	BHP
1600	1241	30	1178	38	1136	48	1050	58	907	67	691	77	452	86
1800	1426	34	1363	43	1316	54	1231	65	1090	75	856	86	582	97
2000	1610	37	1548	48	1496	60	1412	72	1273	84	1021	96	711	108
2200	1795	41	1733	53	1676	66	1593	79	1456	92	1186	105	841	119
2400	1979	45	1918	58	1855	72	1773	86	1639	101	1351	115	970	129
2600	2164	49	2103	62	2035	78	1954	93	1822	109	1515	125	1100	140
2800	2348	52	2288	67	2215	84	2135	101	2005	117	1680	134	1229**	151**
3000	2533	56	2473	72	2395	90	2316	108	2188	126	1845**	144**	-	-

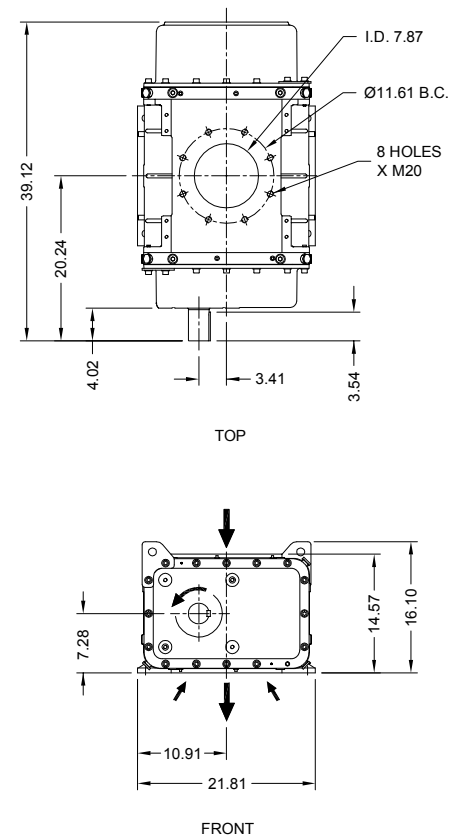
Volume displacement at maximum speed.
 ** For intermittent use only. (15 min / hour)

VTB822XL Dimensions

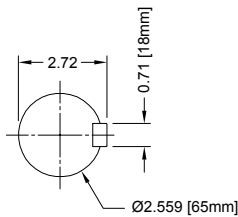
VERTICAL GEARS



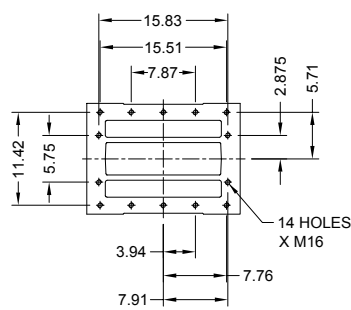
HORIZONTAL GEARS



SHAFT DETAILS



DISCHARGE FLANGE



NOTES:

1. ENGLISH UNITS (INCH) UNLESS OTHERWISE NOTED.
2. WEIGHT: 344 lbs.
3. C.W. SHAFT ROTATION ALSO AVAILABLE ON REQUEST.
4. DO NOT USE FOR CONSTRUCTION.

Spare parts

Kit 1 - STANDARD MAINTENANCE KIT No. R016210100	Kit 2 - SET OF RING HOLDERS No. R016092100	Kit 3 - SET OF GEARS No. P168502042	Kit 4 - HEAD PLATE No. P165200497	HIBON LUBE LUBE - 46086567

HIB 015 RTB - VTB Imperial letter V8
Ingersoll Rand Industrial Technologies provides products, services and solutions to enhance the efficiency and productivity of our commercial, industrial and process customers. Our innovative products include air compressors, air systems components, tools, pumps, material and fluid handling systems and microturbines. Ingersoll Rand compressors are not designed, intended or approved for breathing air applications. Ingersoll Rand does not approve specialized equipment for breathing air applications and assumes no responsibility or liability for compressors used for breathing air service. Nothing contained on these pages is intended to extend any warranty or representation, expressed or implied, regarding the product described herein. Any such warranties or other terms and conditions of sale of products shall be in accordance with Ingersoll Rand's standard terms and conditions of sale for such products, which are available upon request. Product improvement is a continuing goal at Ingersoll Rand. Designs and specifications are subject to change without notice or obligation.



©2013 Ingersoll-Rand Company



Authorized Hibon Distributor, Service & Repair Facility

120 – 10293 276 ST, Acheson, Alberta, Canada T7X 6A5

T: 780.962.1827 F: 780.962.1830 E: sales@fraserwoods.ca

www.fraserwoods.ca