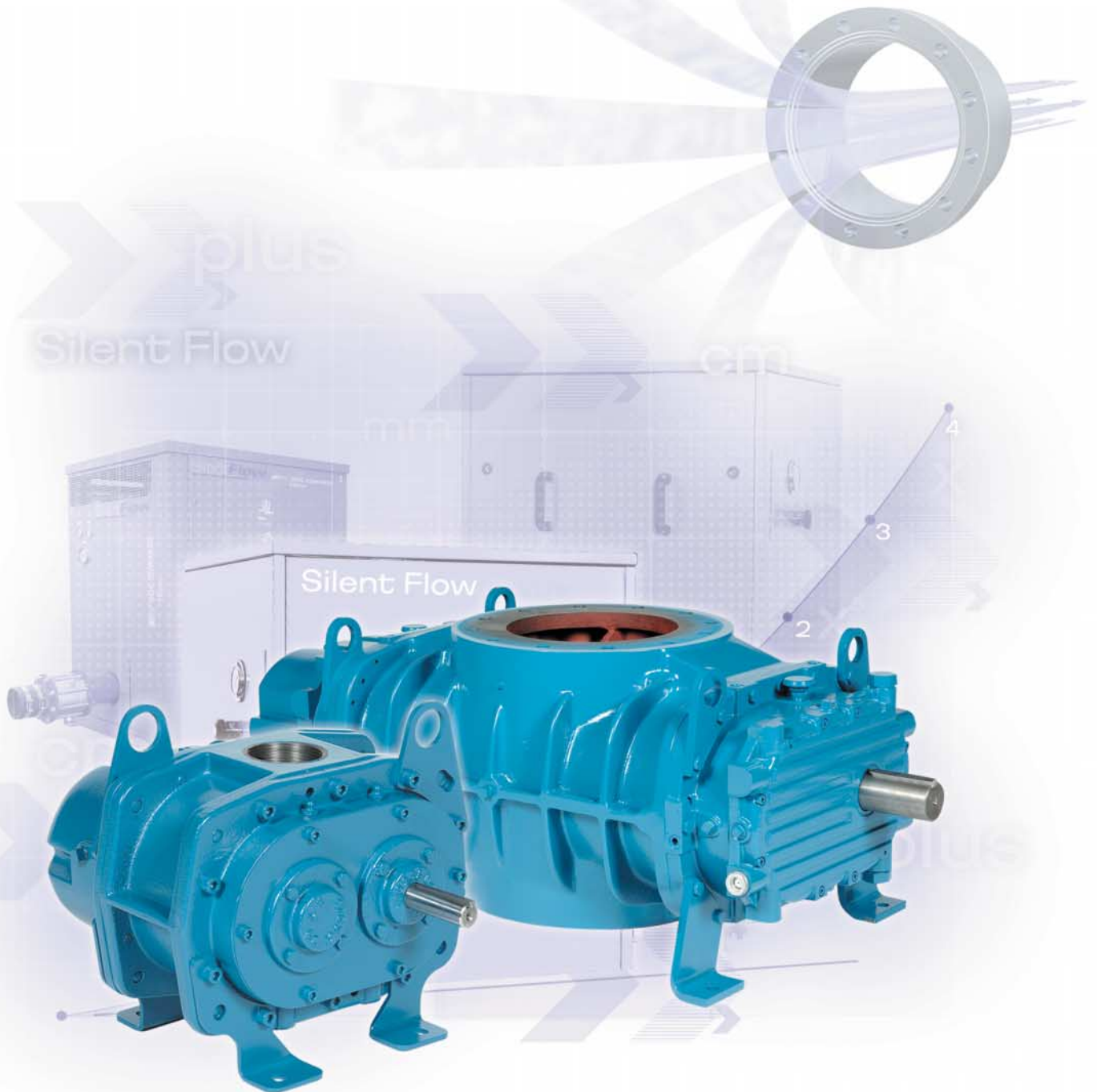


# Bareshaft blowers

**BOC EDWARDS**  
Hibon

## S2H Two Lobe Series

25 CFM > 5600 CFM



**FRASERWOODS**  
FABRICATION & MACHINING LTD.

**Authorized Hibon Distributor, Service & Repair Facility**

120 – 10293 276 ST, Acheson, Alberta, Canada T7X 6A5

T: 780.962.1827 F: 780.962.1830 E: sales@fraserwoods.ca

[www.fraserwoods.ca](http://www.fraserwoods.ca)

# S2H Series Blowers



## Range

25 CFM to 5600 CFM for pressure to 15 PSIG or vacuum to 15" Hg.

## Features

- High mechanical and volumetric efficiency
- Reliability in operation
- Air cooled, oil free operation
- Fast and easy servicing
- Dynamically balanced impellers
- Detachable feet allow for vertical or horizontal flow
- Clockwise or anti-clockwise rotation

Direct drive or V-belt drive available throughout the operating range.

## Performance



Model	Flow Max in CFM	Max. Differential pressure in PSI	Max. Vacuum in "Hg
S2H 22	60	11	15
S2H 23	130	6	12
S2H 31	115	14	15
S2H 32	175	11	15
S2H 33	300	6	12
S2H 41	165	15	15
S2H 42	350	9	15
S2H 43	485	6	12
S2H 51	265	15	15
S2H 52	400	9	15
S2H 53	700	6	12
S2H 63	1910	12	15
S2H 64	2940	9	15
S2H 83	3650	11	15
S2H 84	5600	9	15

## S2H 22 > S2H 53

### > Performance

Flows: 25 CFM to 530 CFM

### > Features

**Casing:** Close grained cast iron. Ribbed for strength.

**Head-plates:** Close grained cast iron. Machined for accurate bearing location and impeller alignment.

**Rotors:** Cast iron with pressed in steel shafts.

**Gears:** Ground and hardened alloy steel spur gears.

**Bearings:** Anti friction bearings.  
Retained at gear end to allow accurate setting of gear end clearance between head-plate and impellers.

**Lubrication:** Oil splash lubricated at gear end.  
Grease lubricated at drive end.

**Seals:** Single lip seals for air blowers and exhausters. For gas boosting special seals are fitted.

**Motor start:** Direct on line preferred. Star Delta starting providing machine is unloaded on start-up.

### > Design

	European Designation	ASTM
Blower Body	EN GJL 200	A 48 gr 30 B
End covers	EN GJL 200	A 48 gr 30 B
Rotors	EN GJL 200	A 48 gr 30 B
Shafts	EN 10083-1-91/50CR V4	
Gears	CARBON STEEL 817 M 40	



## S2H 63 > S2H 84

### > Performance

Flows: 1175 CFM to 5600 CFM

### > Features

**Casing:** Close grained cast iron. Ribbed for strength.

**Head-plates:** Close grained cast iron. Machined for accurate bearing location and impeller alignment.

**Gears:** Ground and hardened alloy steel helical gears. Durable grip rings fasten gears to shaft and allow quick and easy dismantling and re-timing.

**Lubrication:** Oil splash lubrication at drive and non drive ends.

**Bearings:** Large Double row anti friction spherical roller bearings. Retained at gear end to allow accurate setting of gear end clearance between head-plate and impellers.

**Seals:** Nilos ring and piston rings with intermediate venting chamber. For gas boosting special seals are fitted.

**Motor start:** Direct on line preferred. Star Delta starting provided machine is unloaded on start-up.

**Rotors & Shafts:** Integral Ductile iron.

### > Design

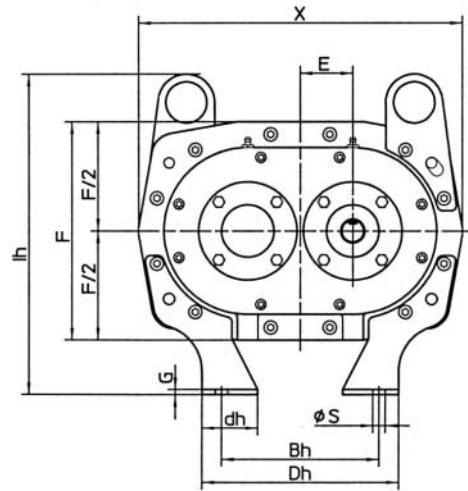
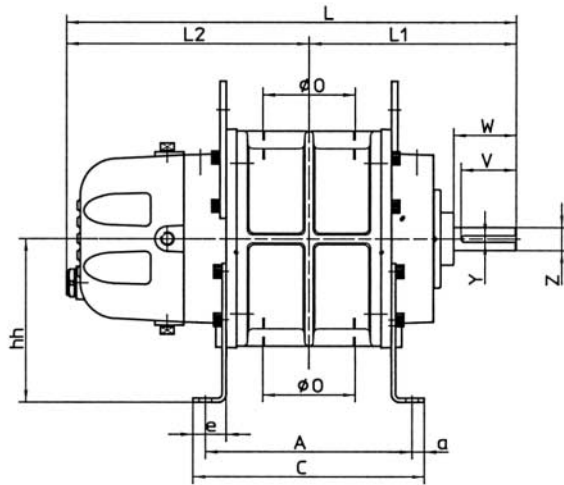
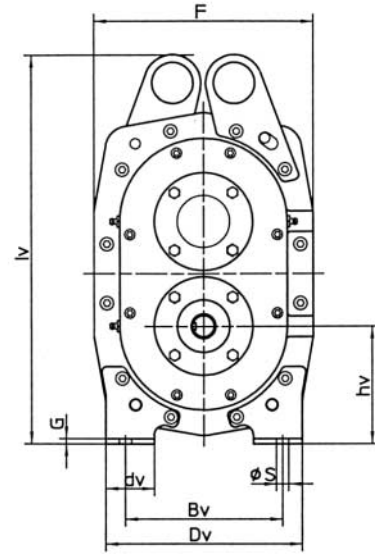
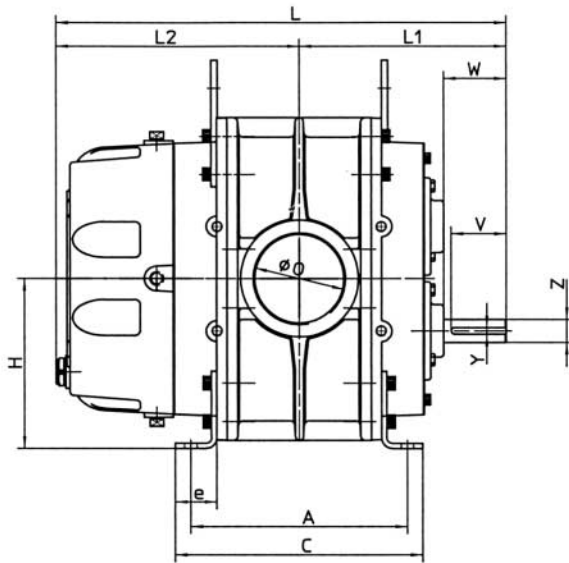
	European Designation	ASTM
Blower Body	EN GJL 200	A 48 gr 30 B
End covers	EN GJL 200	A 48 gr 30 B
Rotors	EN GJS 400-15	A 5 36-0-40-18
Shafts	EN GJS 400-15	A 5 36-0-40-18
Gears	CARBON STEEL 817 M 40	



# S2H 22 > S2H 53



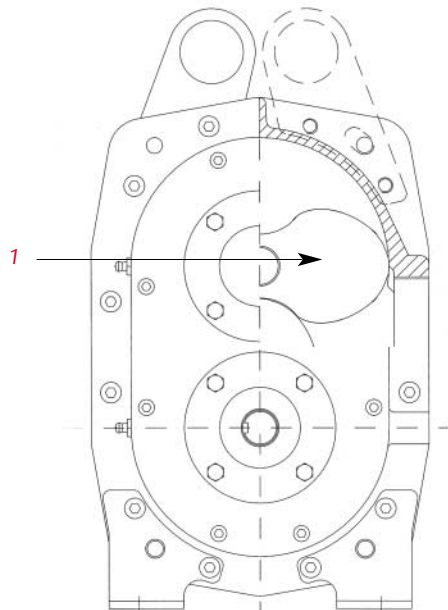
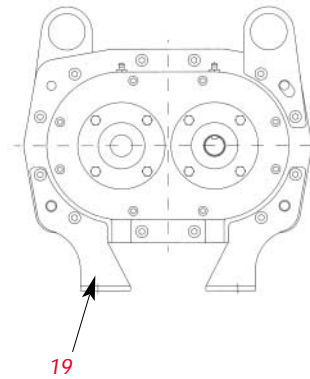
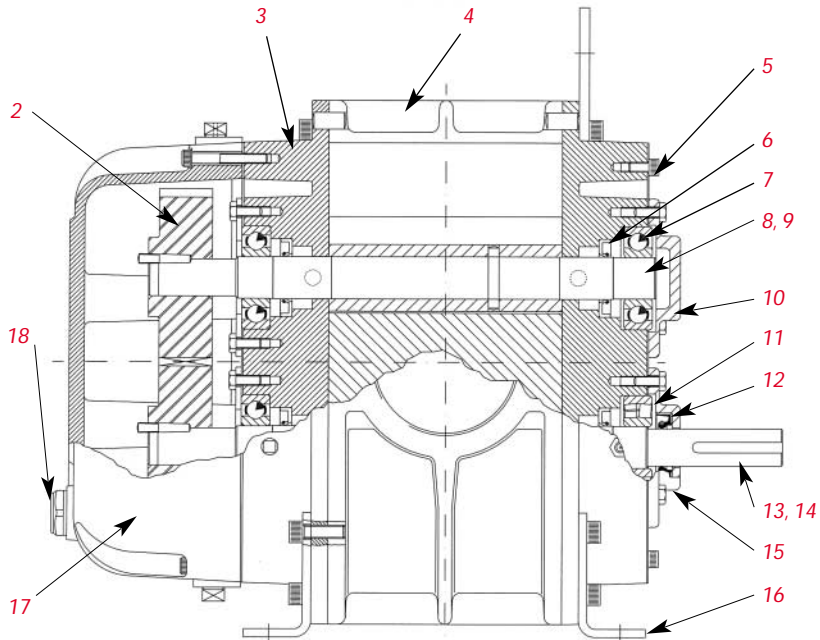
## Dimensions



Blower Size	A	Bv	Bh	C	Dv	Dh	dv	dh	E	e	F	G	H	hv	hh	lv	lh	L	L1	L2	O	S	V	W	X	Y	Z	Weight (lbs)
S2H 22	4.00	3.00	4.00	5.00	5.13	5.50	1.75	1.56	1.38	1.25	6.00	0.13	4.88	3.50	3.75	11.00	8.50	10.25	4.44	5.81	1 1/4	0.38	1.31	1.50	8.75	3/16	0.625	42
S2H 23	6.00	3.00	4.00	7.00	5.13	5.50	1.75	1.56	1.38	1.25	6.00	0.13	4.88	3.50	3.75	11.00	8.50	12.25	5.50	6.75	2	0.38	1.31	1.50	8.75	3/16	0.625	46
S2H 31	5.25	5.06	5.75	6.69	6.50	7.25	1.75	2.13	1.75	1.63	7.63	0.13	6.25	4.50	5.00	13.19	10.38	12.38	5.75	6.63	1 1/4	0.38	2.13	2.38	11.13	3/16	0.750	75
S2H 32	6.13	5.06	5.75	7.56	6.50	7.25	1.75	2.13	1.75	1.63	7.63	0.13	6.25	4.50	5.00	13.19	10.38	13.25	6.19	7.06	2	0.38	2.13	2.38	11.13	3/16	0.750	84
S2H 33	8.75	5.06	5.75	10.19	6.50	7.25	1.75	2.13	1.75	1.63	7.63	0.13	6.25	4.50	5.00	13.19	10.38	15.81	7.50	8.31	2 1/2	0.38	2.13	2.38	11.13	3/16	0.750	106
S2H 41	6.00	6.00	6.00	7.19	7.50	7.50	1.88	2.13	2.00	1.56	8.31	0.19	6.50	4.50	6.25	14.94	12.25	14.94	6.81	8.13	1 1/2	0.50	2.13	2.38	12.31	1/4	0.875	110
S2H 42	8.25	6.00	6.00	9.44	7.50	7.50	1.88	2.13	2.00	1.56	8.31	0.19	6.50	4.50	6.25	14.94	12.25	17.19	7.94	9.25	2 1/2	0.50	2.13	2.38	12.31	1/4	0.875	132
S2H 43	10.75	6.00	6.00	11.94	7.50	7.50	1.88	2.13	2.00	1.56	8.31	0.19	6.50	4.50	6.25	14.94	12.25	19.75	9.25	10.50	3	0.50	2.13	2.38	12.31	1/4	0.875	161
S2H 51	7.00	7.00	7.00	8.50	9.06	9.06	2.25	2.63	2.50	1.81	10.25	0.25	8.00	5.50	7.00	18.31	14.50	18.88	7.75	11.13	2 1/2	0.50	2.13	2.38	15.25	5/16	1.125	209
S2H 52	9.00	7.00	7.00	10.50	9.06	9.06	2.25	2.63	2.50	1.81	10.25	0.25	8.00	5.50	7.00	18.31	14.50	20.88	8.75	12.13	4	0.50	2.13	2.38	15.25	5/16	1.125	224
S2H 53	13.00	7.00	7.00	14.50	9.06	9.06	2.25	2.63	2.50	1.81	10.25	0.25	8.00	5.50	7.00	18.31	14.50	24.88	10.75	14.13	4	0.50	2.13	2.38	15.25	5/16	1.125	240

Blowers with NPT port  
All Dimensions in inches

## Cross section drawing



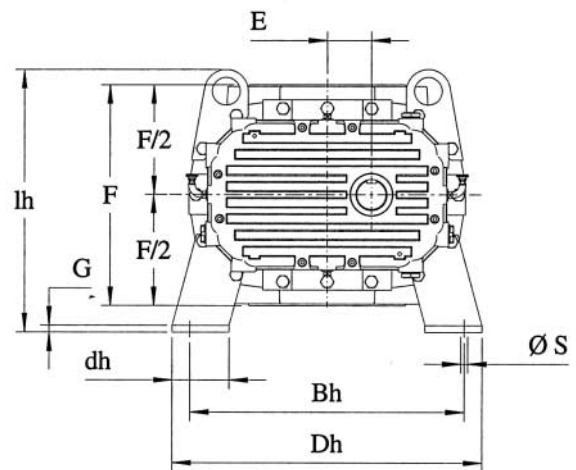
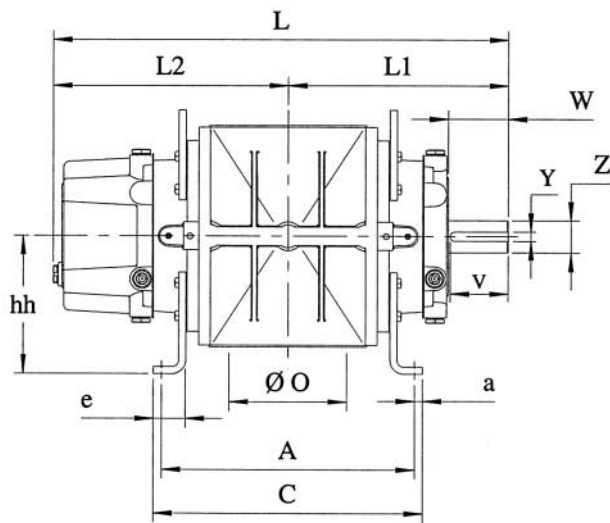
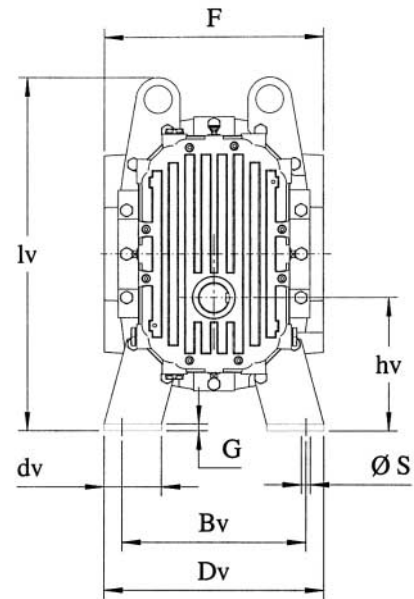
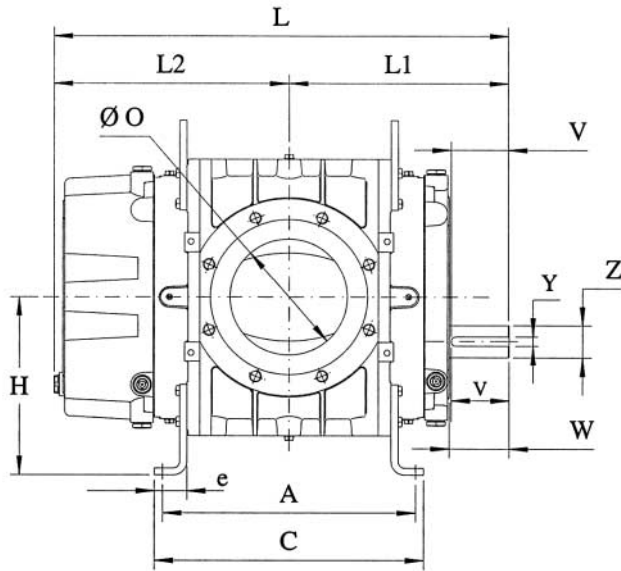
Ref	DESCRIPTION
1	Impeller
2	Timing gears
3	Headplate
4	Impeller case
5	Drive end cover plate
6	Main seal
7	Main bearing
8	Short shaft
9	Short shaft assembly
10	Driven shaft cover
11	Drive shaft bearing (drive end only)
12	Drive seal
13	Long shaft
14	Long shaft assembly
15	Drive shaft cover
16	Vertical feet
17	Cast gear case
18	Oil level sight glass
19	Horizontal feet





# S2H 63 > S2H 84

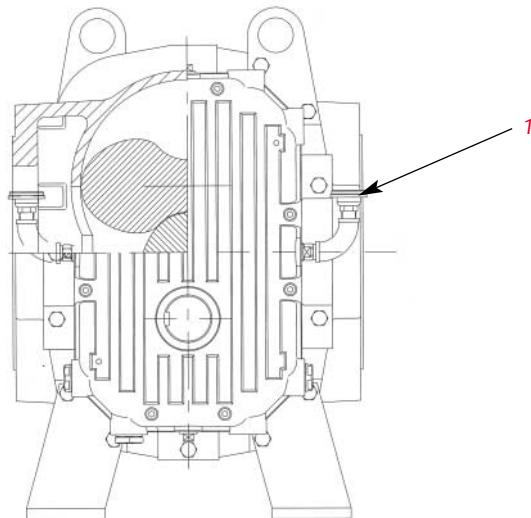
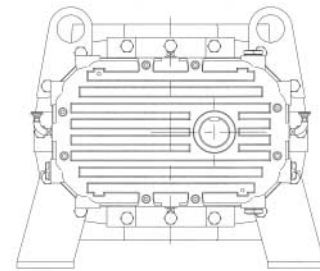
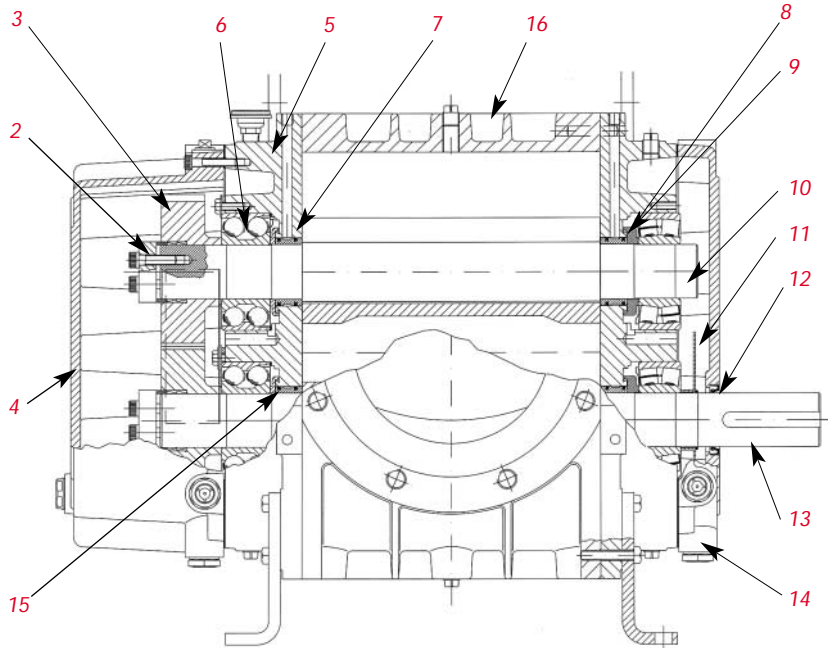
## Dimensions



Blower Size	A	a	Bv	Bh	C	Dv	Dh	dv	dh	E	e	F	G	H	hv	hh	lv	lh	L	L1	L2	O	S	V	W	Y	Z	Weight (lbs)
S2H 63	23.06	0.69	11.44	17.39	24.56	14.81	20.81	3.56	3.56	3.00	2.38	15.75	0.50	12.06	9.06	9.06	30.63	22.63	36.50	17.88	18.63	200	0.63	3.94	4.13	0.63	55	704
S2H 64	29.06	0.69	11.44	17.39	30.56	14.81	20.81	3.56	3.56	3.00	2.38	15.75	0.50	12.06	9.06	9.06	30.63	22.63	42.50	20.88	21.63	250	0.63	3.94	4.13	0.63	55	1034
S2H 83	30.00	0.94	14.19	22.19	32.31	18.88	26.94	4.31	4.31	4.00	2.75	18.88	0.50	16.50	12.50	12.50	23.19	17.13	48.63	24.31	24.31	300	0.81	6.50	6.56	0.81	75	1463
S2H 84	37.88	0.94	14.19	22.19	39.81	18.88	26.94	4.31	4.31	4.00	2.75	18.88	0.50	16.50	12.50	12.50	23.19	17.13	56.63	28.31	28.31	300	0.81	6.50	6.56	0.81	75	2134

All Dimensions in inches

## Cross section drawing



Ref	DESCRIPTION
1	Vent Breathers
2	Gear locking kit
3	Timing gear
4	Cast gear case
5	Headplate
6	Main bearing gear end
7	Shaft sleeve
8	Nilos rings
9	Main bearing drive end
10	Short shaft impeller
11	Oil slinger
12	Drive seal
13	Long shaft impeller
14	Cast drive cover
15	Sealing ring
16	Impeller case

Please consult the product instruction manual for safe handling, installation, use, maintenance, and disposal of the product. Our constant drive for technical improvement and quality may involve the modification of our products without prior notice.

BOC Edwards is a world leader in process equipment, materials and services for electronics, industrial/municipal and scientific applications. Our goal is to offer customers solutions that result in a measurable improvement in productivity.

**BOC EDWARDS PRODUCTS AND SERVICES**

BULK GASES

ELECTRONIC MATERIALS

CHEMICAL MANAGEMENT

VACUUM PUMPS AND SYSTEMS

EXHAUST MANAGEMENT

COATING SYSTEMS

PRESSURE BLOWERS

PHARMACEUTICAL SYSTEMS

THERMAL MANAGEMENT

INSTRUMENTATION

DESIGN & PROJECT MANAGEMENT

COMPONENT CLEANING

ON-SITE SERVICE

E-DIAGNOSTICS

EH&S SERVICES

TRAINING



**Authorized Hicon Distributor, Service & Repair Facility**

120 – 10293 276 ST, Acheson, Alberta, Canada T7X 6A5

T: 780.962.1827 F: 780.962.1830 E: [sales@fraserwoods.ca](mailto:sales@fraserwoods.ca)

[www.fraserwoods.ca](http://www.fraserwoods.ca)